

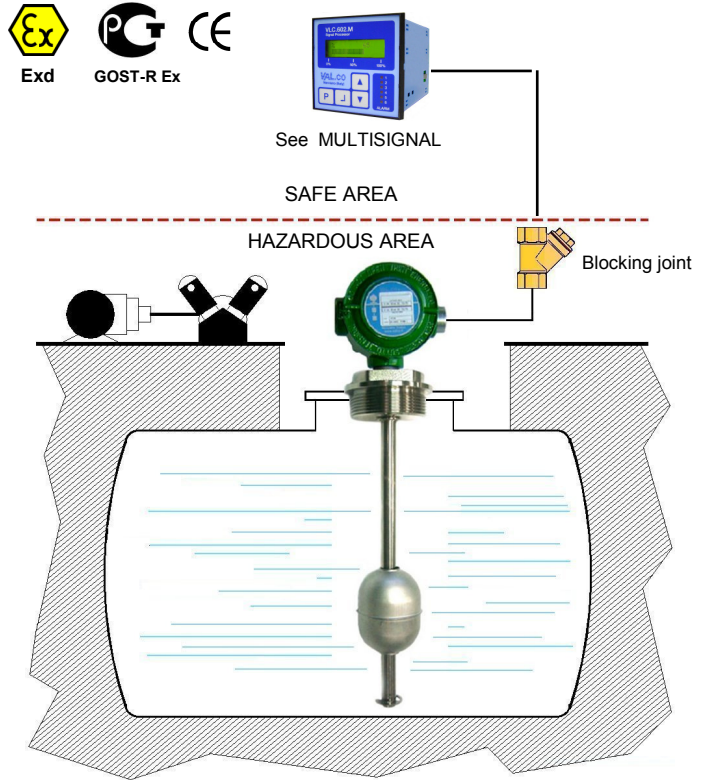
APPROVED IN ACCORDANCE WITH THE EUROPEAN STANDARD 94/9/EC - ATEX

These instruments, explosion-proof certified: **CESI 03 ATEX 272 Ext.2 1/2G Exd IIC T5/T6 G2/Gb**, are used to control the level of liquids or fuels inside tanks, both underground and outdoors, installed in hazardous areas where flammable products are treated.

The principle of operation is potentiometric type, based on the gradual shutdown of a chain of resistors and reed contacts, placed inside of the measuring rod by a magnetic float.

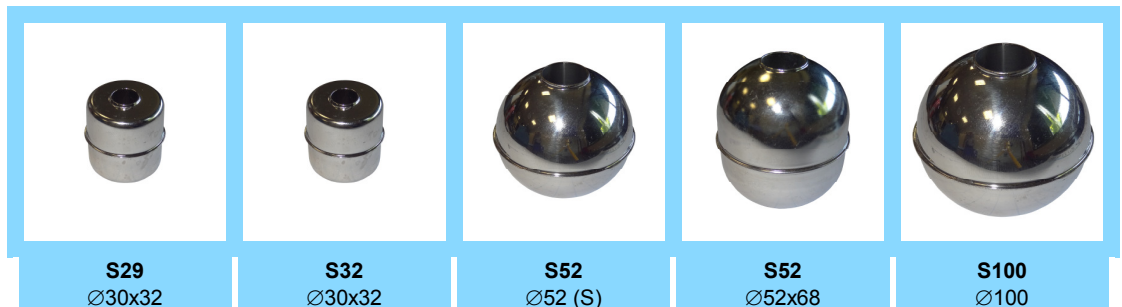
GENERAL CHARACTERISTICS

- **Stainless steel – AISI 316**
- Measuring resolution 5 – 10 – 20 mm
- Potentiometric signal output (**LC**).
- 4-20mA analog output (**LCT**).
- Up to 6 m length depending on the used float.
- Maximum working pressure 50 Bar.
- Working ambient temperature. -40/+40°C = T6, -40/+60 °C = T5
- Standard working temperature up to 100°C. Execution up to 150°C on request.
- Minimum degree of protection IP65
- Built-in temperature sensors, on request. PT – PTC – NTC



FLOATS

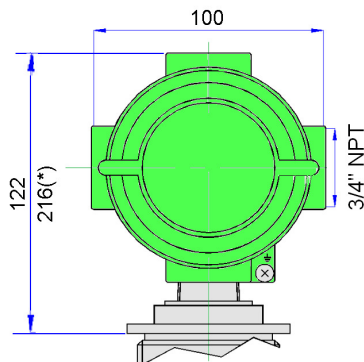
Tab.1



Material	Stainless steel – AISI 316				
Specific gravity	0,75	0,55	0,7	0,65	0,6
Measuring resolution - mm	5	5	5	10 – 20	10 – 20
Max. pressure – Bar	30	10	50	40	15
Max. temperature – Class	L = 100°C				
On request	R = 150°C				

ELECTRICAL OUTPUT

Tab.2



E1 IP65 Housing
With heatsink - see dimension (*)
LC – LCT = Temperature class R

